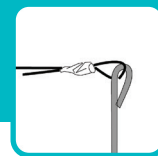




CABLE BIRD® WIRE

D A T A S H E E T

THE DISSUASIVE PROCESS FOR BIRDS REMOVAL



CABLE BIRD® WIRE, dissuasive process for removal of birds. Very discreet, quick to install, economical.

- No risk of injury, ideal for window sills, ballustrade...
- The spring effect of the cable with the hooks ensures efficiency.
- Does not damage the supports.

MAIN FEATURES :

- High resistance to oxygen, ultraviolet, alkalisalts.
- Very poor solvent resistance.
- Adhesion : up to 5,20 kgs/cm² (strength of 125 kgs/25cm), (the test was conducted in laboratory, with a maturation period of 5 years and a half)

TECHNICAL DATAS **CABLE BIRD® WIRE** :

- **Supports**
 - Polycarbonate, treated with anti-UV protection in the mass

- **Nylon coated stainless steel cable**

- Diameter : 0,70 mm
- Length : 100 m

The cable has the following real benefits :

- Very good strength, which makes it very effective
- Very good elasticity = Combined cable / hook effect
- Good resistance to salt spray

- **STEELINOX® hook**

- Diameter: 1,2 mm
- Hauteur: 90 mm

STEELINOX® gives real benefits :

- Very good resistance allowing a very good efficiency.
- Very good elasticity : Combined cable / hook spring effect
- STEELINOX® material is used in the automotive industry.
- Composition : 95 % zinc ; 5 % aluminium ; FE.
- Good resistance to salt spray.

CABLE BIRD® WIRE BOX 100 M COMPOSITION :

- 250 polycarbonate supports
- **CABLE BIRD® WIRE Simple :**
 - 1 roll of 100 meters of nylon coated stainless steel cable, diameter 0,7 mm.
 - 250 Simple Steelinox® hooks 1,2 mm.
 - 200 clamps.
- **CABLE BIRD® WIRE Double :**
 - 2 roll of 100 meters of nylon coated stainless steel cable, diameter 0,7 mm.
 - 250 Double Simple Steelinox® hooks 1,2 mm.
 - 400 clamps.

ECOPIC® ADVICE :

- CABLE BIRD® WIRE is used when a location is occupied by pigeons also in a low pressure place.

Cleaning : For a better guarantee, clean with SELCLEANING®, (natural cleaner)

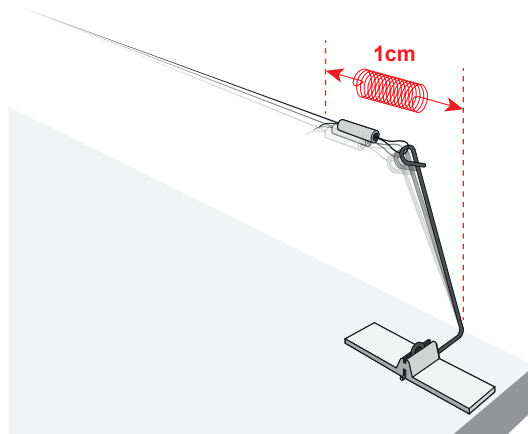
Guarantee : Refer to the conditions defined in our brochure or website

WHERE INSTALLING :

- All types of buildings, statues, museums, factories, schools, balconies, railings...

MANUAL :

- See installation sheet



ECOPIC

ZAC DU MOULIN
12 RUE DU MEUNIER
95700 ROISSY EN FRANCE

PHONE : +33.1.73.27.20.40
FAX : +33.1.30.11.24.55
EMAIL : ECOPIC@ECOPIC.COM

WWW.ECOPIC.COM

SARL AU CAPITAL DE 140 000€
401 788 120 RCS PONTOISE
SIRET 401 788 120 00046
APE 4690 Z
TVA FR 80 401 788 120